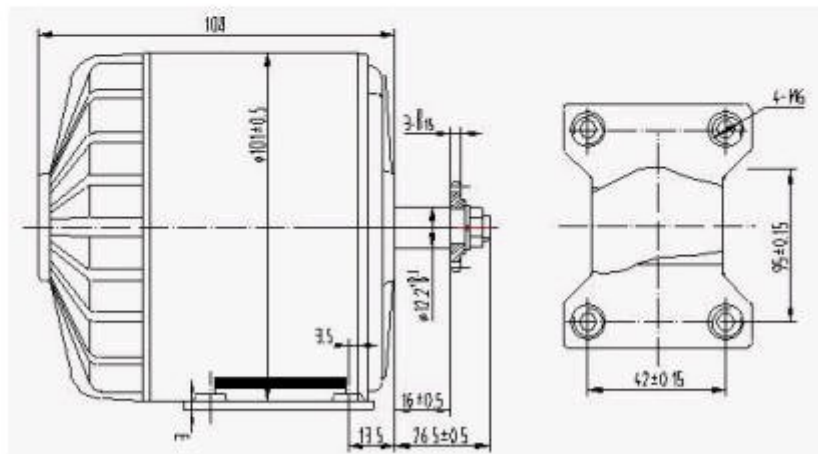


MY1016B4M6-350W

1. PHOTO:



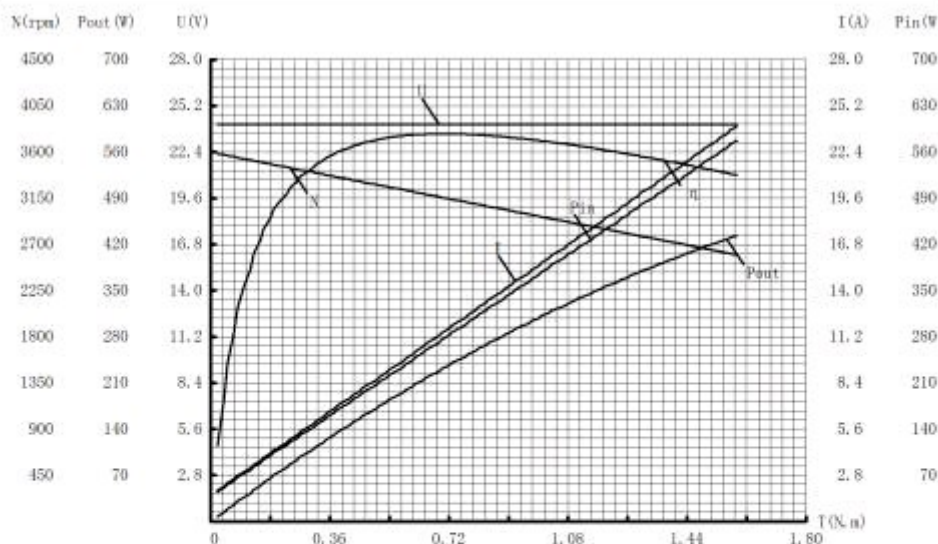
2. DIMENSINS



3. PERFORMANCE CURV:

单位:浙江尤奈特电机有限公司

日期: 2005年



Ref. Point	Torque/N.m	Speed/rpm	P-out/W	Volt/V	Current/A	P-in /W	Efficient/%
No Load	0.02	3514	7.51	24.10	1.89	45.55	16.48
Max. Efficient	0.81	3087	262.78	24.10	13.03	313.94	83.70
Rated Load	1.18	2858	352.49	24.10	18.15	437.39	85.9
Max Torque	1.59	2599	432.88	24.10	23.94	576.95	75.03

4. SPECIFICATION:

MODEL	SPECS	NO LOAD			RATED LOAD				MARK	
		V	SPEED rpm	CURRENT A	TORQUE N.m	SPEED rpm	CURRENT A	P-OUT W		EFFICIENT η
1016	B4M6-300W	24	3350±5%	1.0-2.5	1.22 ± 5%	2750±5%	≤19.2	350	≥76%	CHAIN
	B4M6-300W	36	3350±5%	1.0-2.5		2750±5%	≤12.8			CHAIN

5. PACKAGE:

MODEL	WEIGHT Kg/PC	QTY. PC/CTN	CTN GW. Kg	DIMENSION CM	PACKING MATERIAL
MY1016B4M6-350W24V	2.66	12	32.8	45.5x35x20	CARTON BOX
MY1016B4M6-350W36V	2.66	12	32.8	45.5x35x20	CARTON BOX