

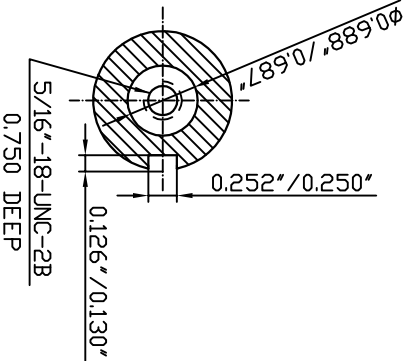
Torque
12+2 Nm

TERMISTOR
Thermal cut off

KOSTOV 9" 80V

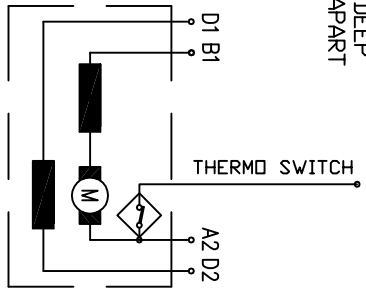
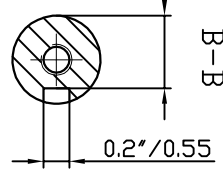
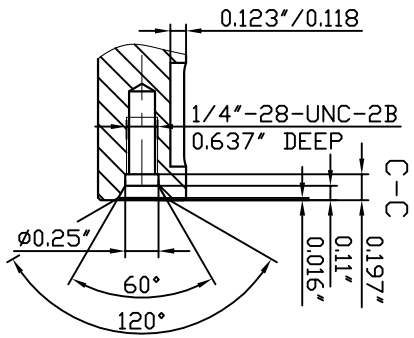
17R-31927

Duty cycle	Volts	Amps	RPM	kW	HP	Peak HP
S2-60min	67	280	4700	15.2	20.4	60
S2-60min	75	280	5300	17.1	22.9	70
S2-60min	80	280	5600	18.3	24.5	75



rated power 17 kW
 rated voltage 80 V
 rated current 280 A
 rated speed 5300 min⁻¹
 operation mode S2-60min
 excitation series IP 21
 protection H
 insulation class YES
 Intertpoles: 45
 weight kg 45
 length L 80
 char. curve S80E07
 rotation REV

KOSTOV 9" 80 V
 exc. SERIES S2-60 min
 IP 21 Insulation H
 H
 YES
 45 kg
 80 mm
 S80E07
 REV
 www.kostov-motors.com



Rotation (viewed from drive end)
 CCW: Connect D2 to A2j " + " to D1 and " - " to B1
 CW: Connect D1 to A2j " + " to D2 and " - " to B1
 Coating: black

Eliprom-EMS

08.04.2009
 01.04.2009
 Rev.